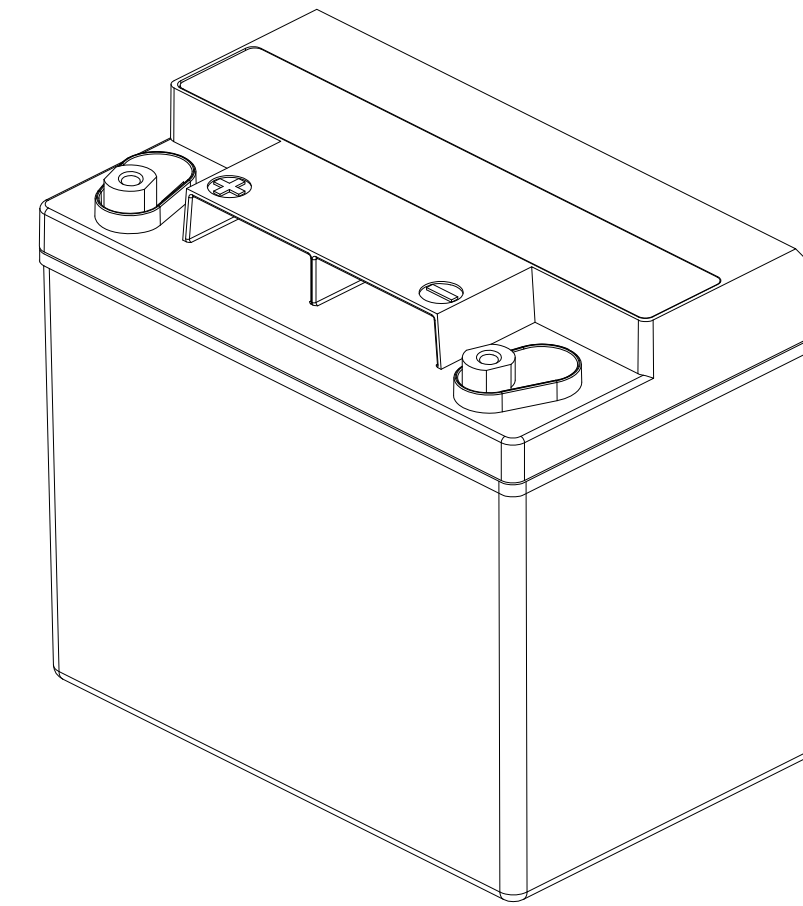
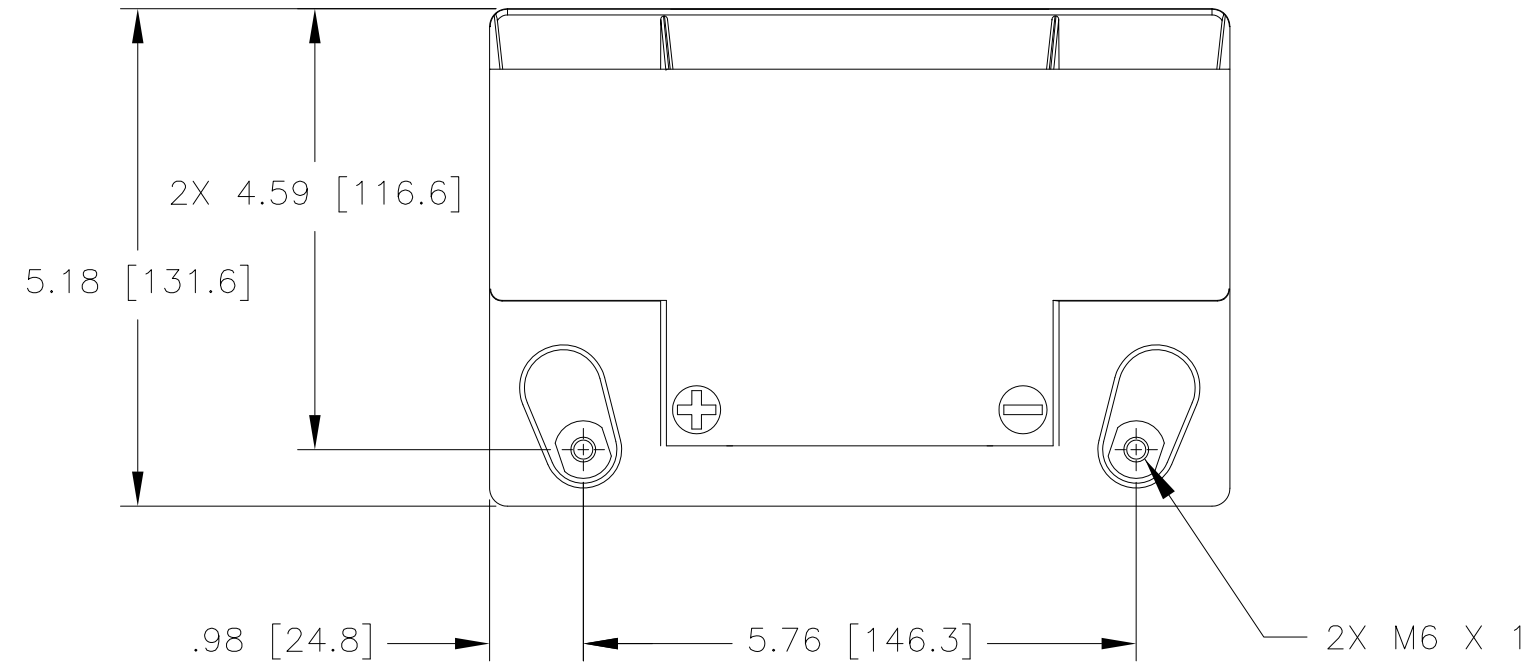


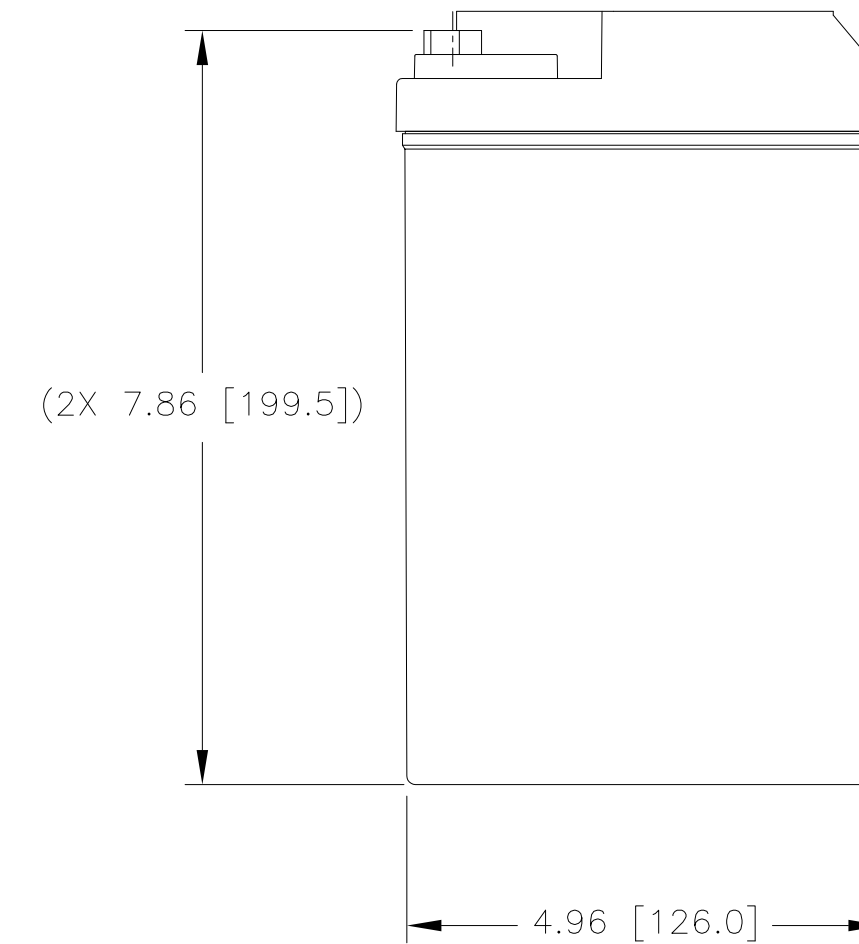
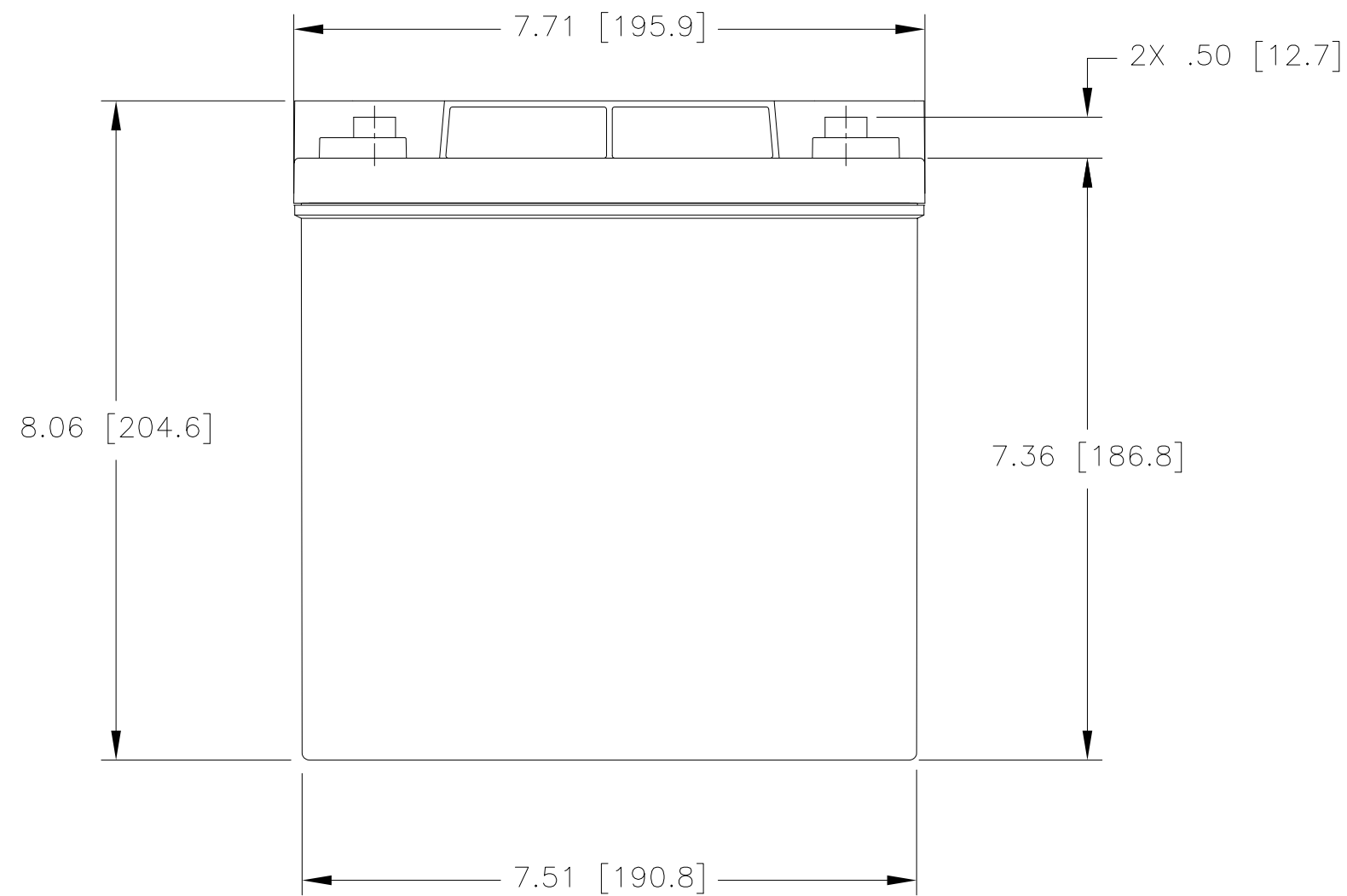
NOTES: UNLESS OTHERWISE SPECIFIED

- SEE DRAWING NO. CB-00293 AND PROCEDURE P-1000 FOR ASSEMBLY AND TEST INSTRUCTION. PROCEDURES AND ASSEMBLY DRAWINGS ARE FOR INTERNAL USE ONLY.
- ALL TESTING IS PERFORMED IAW BATTERY COUNCIL INTERNATIONAL STANDARDS.
- DIMENSIONS ARE INCH [MILLIMETER].
- TERMINAL HARDWARE KIT PROVIDED, PART NUMBER 6932.

REVISIONS			
REV	DESCRIPTION	DATE	APPROVED
A	REVISED TERMINAL WAS: M8...	12/23/00	JBT
B	STANDARDIZED ENVELOPE, REV OAH DIMS, ADDED NOTE 4	7/17/20	PH



REFERENCE VIEW



ENVELOPE DRAWING

CAPACITY RATINGS	
PART NUMBER	AGM-1240T
NOMINAL WEIGHT	29 LBS[13.2 KG]
AMPERE HOUR CAPACITY @ 20 HOUR 1.75 VOLTS/CELL @ 77°F (25° C)	40 AH
MINUTES OF DISCHARGE @ 25 AMPS 1.75 VOLTS/CELL @ 77°F (25° C)	61 MIN

QTY REQD	CAGE CODE	PART OR IDENTIFYING NO.	NOMENCLATURE OR DESCRIPTION	MATERIAL SPECIFICATION	ITEM NO.
PARTS LIST					
UNLESS OTHERWISE SPECIFIED DIMENSIONS ARE IN INCHES TOLERANCES ARE: FRACTIONS DECIMALS ANGLES ± 1/32 .XX ± .12 ± 1° .XXX ± .060			CONTRACT NO.		CONCORDE BATTERY CORPORATION 209 SAN BERNARDINO RD, W. COVINA, CA 91790 TITLE: BATTERY, 12 VOLT AGM-1240T
TREATMENT NONE		CHECKED S. VALDEZ	DATE 3/21/00	APPROVALS	
FINISH NONE		APPROVED DG	DATE 3/22/00	DRAWN ELH	
SIMILAR TO		ACT WT	CALC WT	ISSUED DH	
SCALE NONE		DWG NO. AGM-1240T		REV B	SHEET 1 OF 1