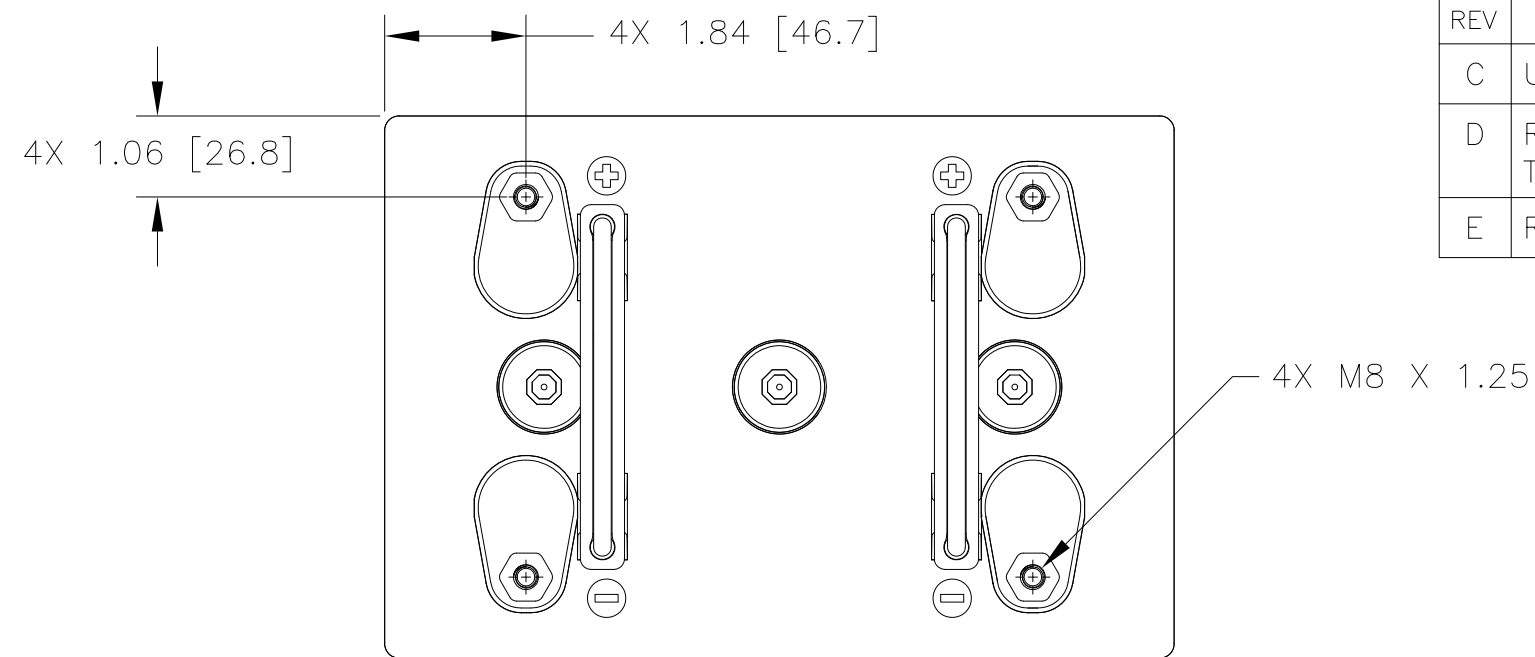


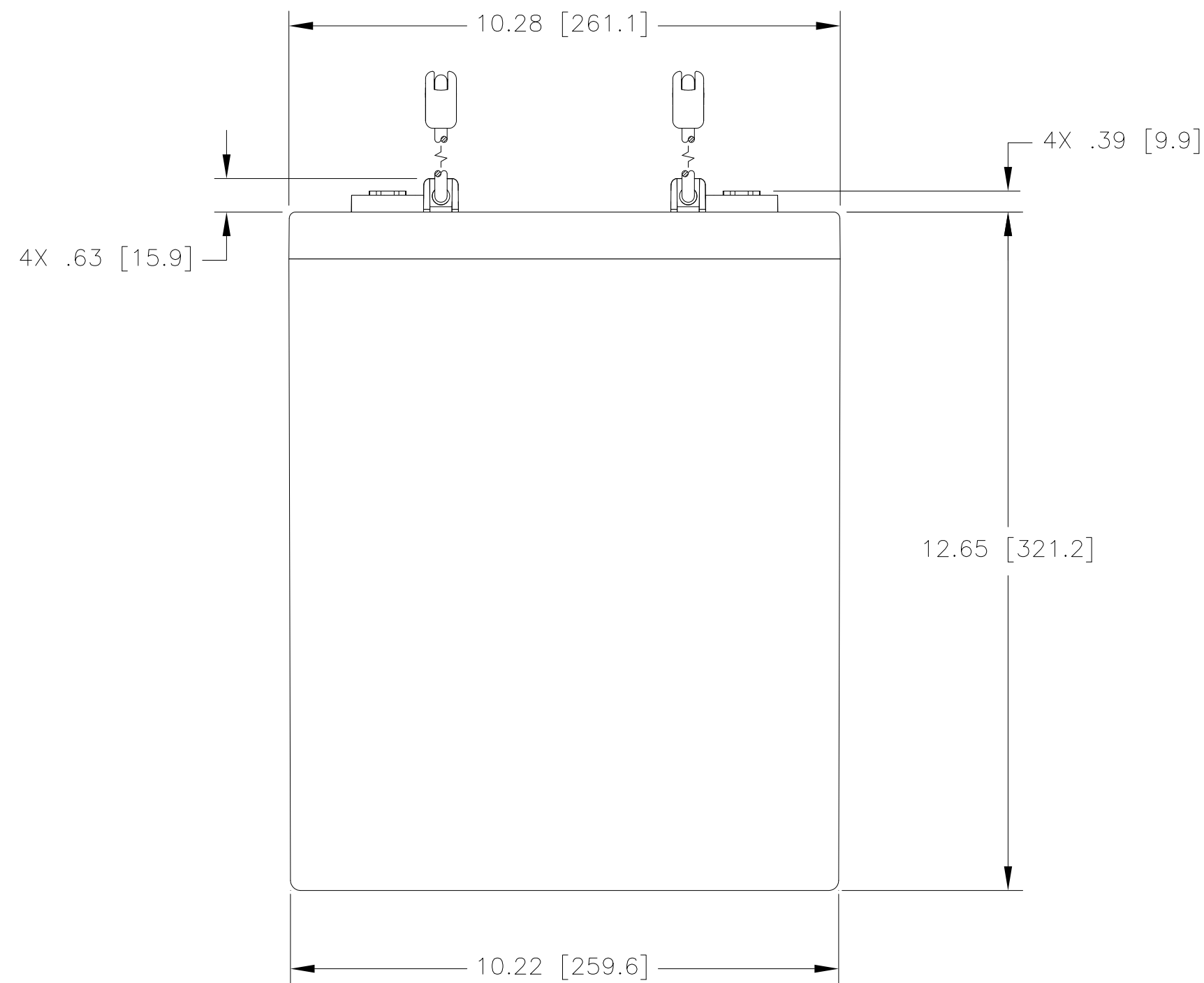
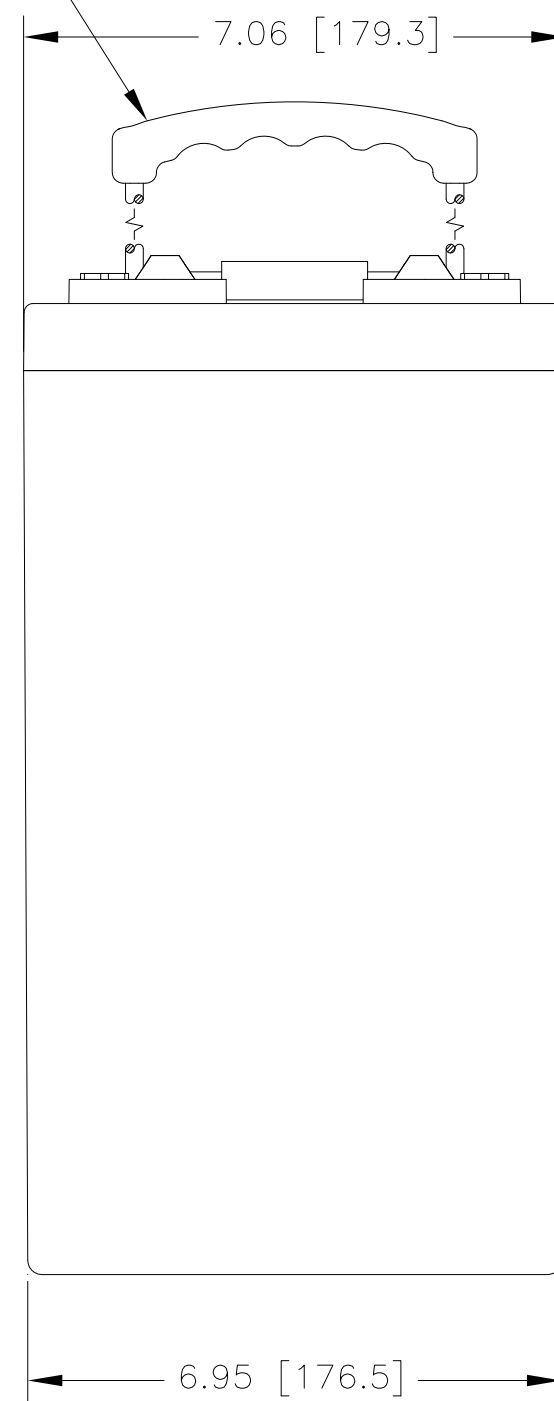
NOTES: UNLESS OTHERWISE SPECIFIED

1. SEE DRAWING NO. CB-00281 AND PROCEDURE P-1000 FOR ASSEMBLY AND TEST INSTRUCTION. PROCEDURES AND ASSEMBLY DRAWINGS ARE FOR INTERNAL USE ONLY.
2. ALL TESTING IS PERFORMED IAW BATTERY COUNCIL INTERNATIONAL STANDARDS.
3. DIMENSIONS ARE INCH [MILLIMETER].
4. TERMINAL HARDWARE KIT PROVIDED, PART NUMBER 6923 (2 REQD).



REVISIONS			
REV	DESCRIPTION	DATE	APPROVED
C	UPDATED RATINGS	1/30/08	JBT
D	REVISED TERMINAL DAMS, TERMINAL HEIGHT & HANDLES	9/16/09	JBT
E	REVISED TERMINAL HEIGHT	6/12/20	PH

2X ROPE LIFTING HANDLES



CAPACITY RATINGS	
PART NUMBER	AGM-2900T
NOMINAL WEIGHT	93 LBS [42.2 KG]
AMPERE HOUR CAPACITY @ 20 HOUR 1.75 VOLTS/CELL @ 77°F (25° C)	900 AH
MINUTES OF DISCHARGE @ 25 AMPS 1.75 VOLTS/CELL @ 77°F (25° C)	2076 MIN

ENVELOPE DRAWING

QTY	REQD	CAGE CODE	PART OR IDENTIFYING NO.	NOMENCLATURE OR DESCRIPTION	MATERIAL SPECIFICATION	ITEM NO.
PARTS LIST						
UNLESS OTHERWISE SPECIFIED DIMENSIONS ARE IN INCHES TOLERANCES ARE:				CONCORDE BATTERY CORPORATION 2099 SAN BERNARDINO RD, W. COVINA, CA 91790		
FRACTIONS DECIMALS ANGLES ± 1/32 .XX ± .12 ± 1° .XXX ± .060				TITLE BATTERY, 2 VOLT, AGM-2900T		
TREATMENT NONE		APPROVALS		DATE		
FINISH NONE		DRAWN D. AYALA		12/15/06		
SIMILAR TO		CHECKED AMIII		1/9/07		
ACT WT		APPROVED JBT		1/10/07		
CALC WT		ISSUED DH		6/15/20		
SCALE 1=2.5				SIZE C CAGE CODE 63017		DWG NO. AGM-2900T
				REV E		SHEET 1 OF 1